

**Angle valve, DN 40 ISO-
KF, Electric, AI, PI, 24V
DC**

PFEIFFER 

Angle valve

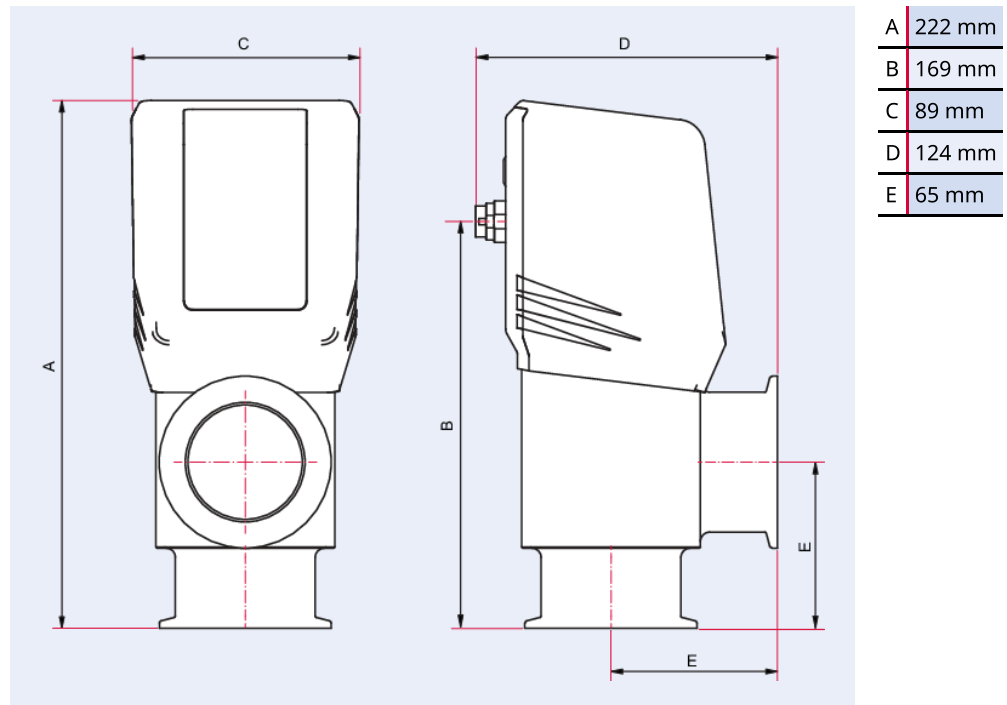


Illustration only

Angle valve, DN 40 ISO-KF, Electric, AI, PI, 24V DC

- Electric Actuation; 24V DC
- Eco-friendly, Low power consumption
- Easy integration
- Fast open/close
- High reliability
- With visual position indicator (LED)
- Local mode button

Dimensions



Technical Data	Angle valve, DN 40 ISO-KF, Electric, Al, PI, 24V DC
Feedthrough	Bellows Stainless steel
Seal	FKM
Position indicator	Included
Type	Angle valve
Position indicator: Load capacity	≤ 48 V AC / DC / 500 mA
Valve plate	Stainless steel (AISI 316)
Ambient temperature	0 – 50 °C
Temperature range	0 – 150 °C
Housing	Aluminum
Mounting orientation	Arbitrary
Actuator	Electric
Input voltage(s)	24 V DC
Tightness	1 · 10 ⁻¹⁰ Pa m ³ /s 7.5 · 10 ⁻¹⁰ Torr l/s 1 · 10 ⁻⁹ mbar l/s
Bakeout temperature: actuator	50 °C 122 °F 323.15 K
Conductance value with molecular flow	45 l/s
Operating pressure min.	1 · 10 ⁻⁸ hPa 7.5 · 10 ⁻⁹ Torr 1 · 10 ⁻⁸ mbar
Pressure max. (absolute)	2,000 hPa 1,500 Torr 2,000 mbar
Bakeout temperature: valve open, under vacuum	150 °C 302 °F 423.2 K
Bakeout temperature: housing	150 °C 302 °F 423.2 K
Differential pressure in closing direction	2,000 hPa 1,500 Torr 2,000 mbar
Differential pressure in opening direction	1,000 hPa 750 Torr 1,000 mbar
Weight approx.	1.5 kg 3.31 lb
Current	21 mA
Connection flange	DN 40 ISO-KF
Closing/opening time	290 ms/460 ms
Temperature range max.	150 °C 302 °F 423.15 K
Temperature range min.	0 °C 32 °F 273.15 K

Order number	Angle valve, DN 40 ISO-KF, Electric, Al, PI, 24V DC
Angle valve, DN 40 ISO-KF, Electric, Al, PI, 24V DC	EAV-A04150



Errors and/or changes excepted. - 5/15/2025

Are you looking for an optimum vacuum solution?

Talk to us:

Pfeiffer Vacuum GmbH

Germany

T +49 6441 802-0

Or scan the barcode, to visit our web page:



<https://webportal.pfeiffer-vacuum.com/global/en/contact>

Follow Us On Social Media

#pfeiffervacuum



www.pfeiffer-vacuum.com

PFEIFFER 